



STANDARD

WWW.HSP.SE

THE ORIGINAL

The twin cylinders* in the standard grapple provide low and even shaft loading, which means less wear. The design of the claws allows the logs to roll in gently, fills the grapple efficiently, and ensures that the load stays in place. This grapple works quickly and easily on all types of material

- Twin cylinders*
- Twin boom tubes
- Expander pins
- Reliable and user friendly
- Extremely high quality
- Powder coated
- Made from high grade steel

GRAPPLE DIMENSIONS		015*	020*	025	028	035	040	055	080**	100**
Max Working Pressure	MPa	23	23	23	23	23	23	23	19	19
Tip force, tip to tip	kN	9,3	8,7	17	16,7	16,1	16,2	16,0	35	39
Opening time at 70l/min	s	0,4	0,4	0,8	0,9	1,0	1,1	1,7	3,6	4,2
Closing time at 70l/min	s	0,6	0,6	1,4	1,5	1,6	1,7	2,5	5,2	6,0
Length, Closed grapple	mm	740	780	800	830	885	970	1110	1355	1490
Maximum grapple opening	mm	1170	1400	1450	1690	1880	2070	2390	2840	3015
Max width	mm	397	397	488	488	526	526	526	800	800
Width, outer claw	mm	355	355	434	434	472	472	472	714	714
Height, closed grapple	mm	510	510	540	530	565	610	695	835	950
Height, open grapple	mm	685	645	690	635	600	630	715	890	1100
Min load diameter	mm	90	95	110	110	120	140	160	175	225
Load area	m ²	0,15	0,20	0,25	0,28	0,35	0,40	0,55	0,80	1,0
Max load	kg	2000	2000	3500	3500	5000	5000	5000	6500	7500
Weight	kg	120	130	225	230	255	285	325	680	850

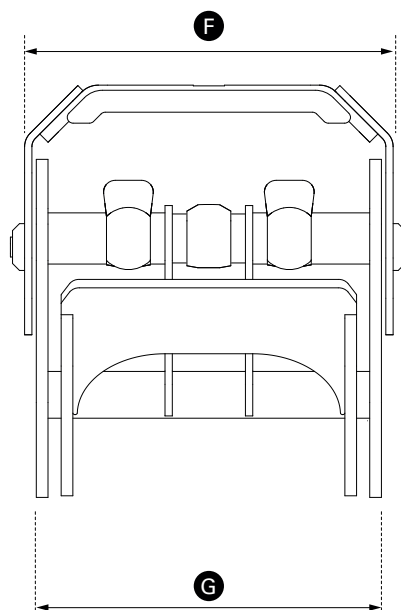
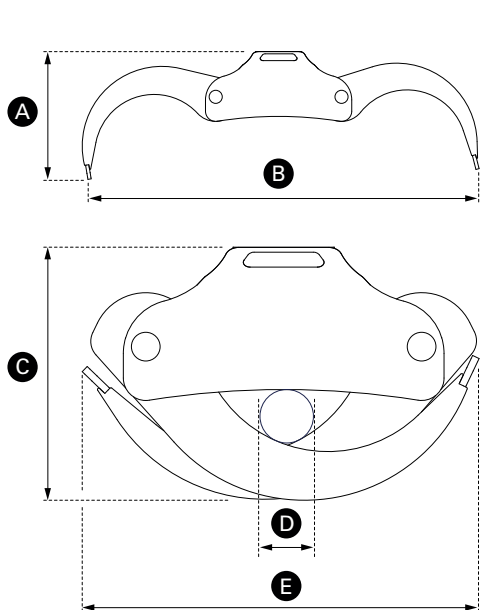
* Models 015 and 020 work with one cylinder. ** The 080 model is designed for GV fastening as standard, The 100 model is designed for IR fastening as standard.

We reserve the right to modify products and amend specifications without prior notice, with reservation for any printing errors.

HSP Gripen
of Sweden

**THE ORIGINAL.
IN 50 DIFFERENT WAYS.**

DIMENSIONS



- A Height, open grapple
- B Maximum grapple opening
- C Height, closed grapple
- D Min load diameter
- E Length, Closed grapple
- F Max width
- G Width, outer claw

ACCESSORIES

Do you want to upgrade your grapple, or just change a component? You can find the entire range of optional upper mountings, rotators and bucket halves.



Please visit www.hsp.se for a wider range of accessories.

SERVICE | DEALERS

All our products maintain the highest possible quality, which means that you will seldom need to use our service function. But if a fault or problem develops, our knowledgeable service personnel can help you at once. You can reach our customer service desk by phoning +46 652-366 90 or sending an e-mail to hsp@hsp.se

Your local dealer:



HASELA SKOGSPRODUKTER

Åkerivägen 11, SE-820 78 Hassela, Sweden. Telefon +46 652 366 90. Fax +46 652- 405 50. E-post hsp@hsp.se